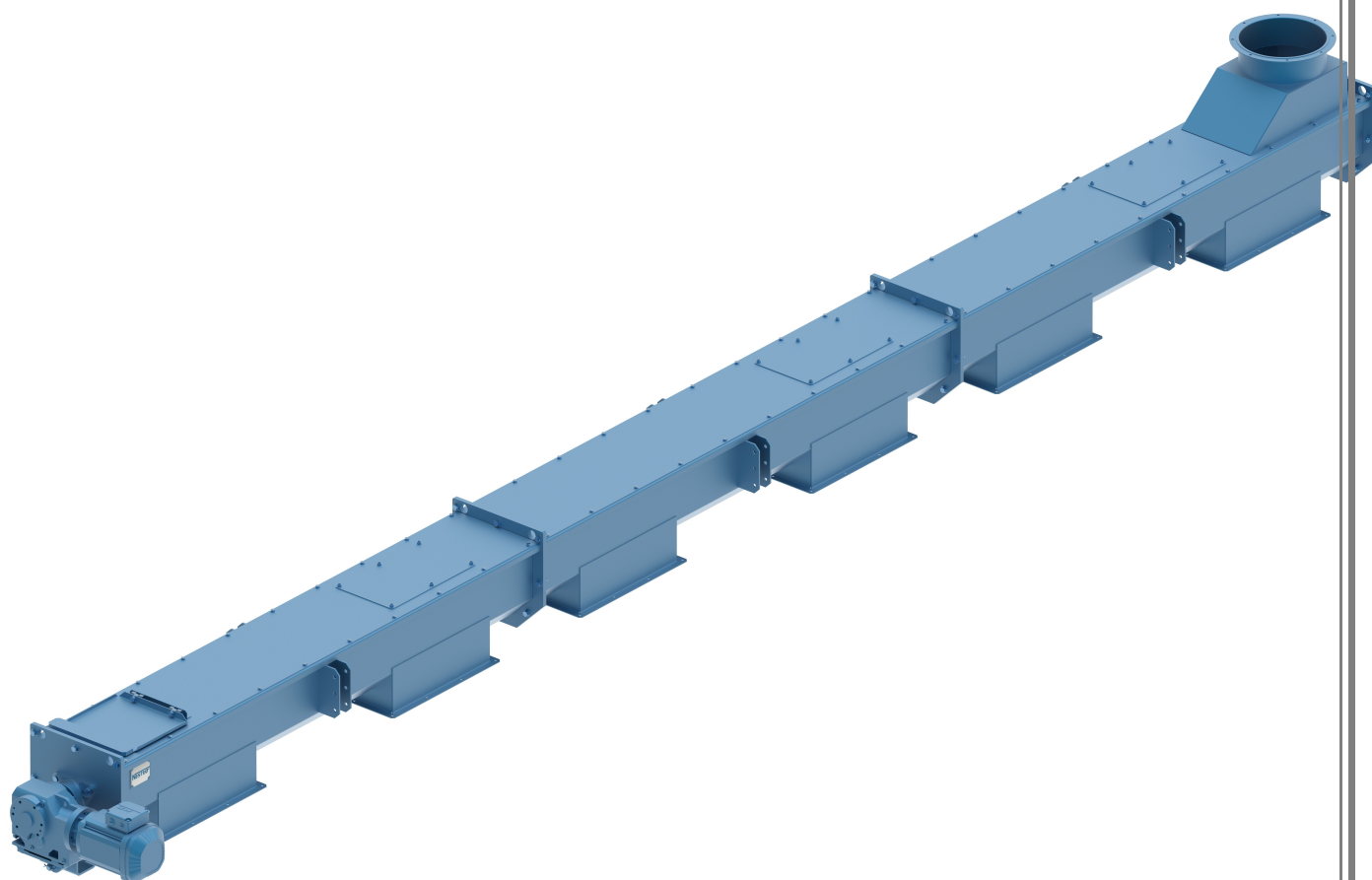
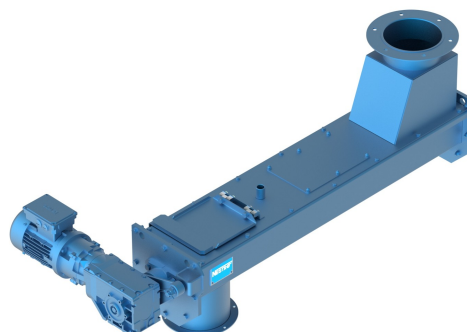
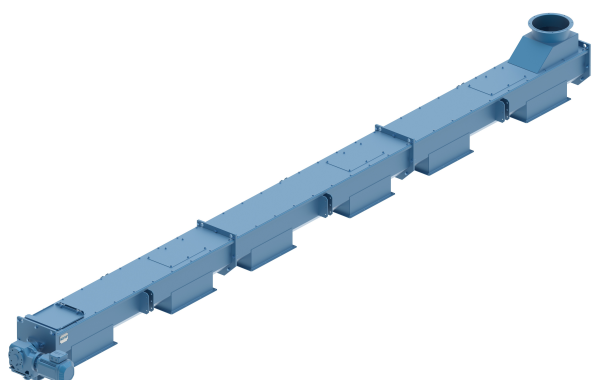


Conveyor quotation form



Customer contact details:

Company name:

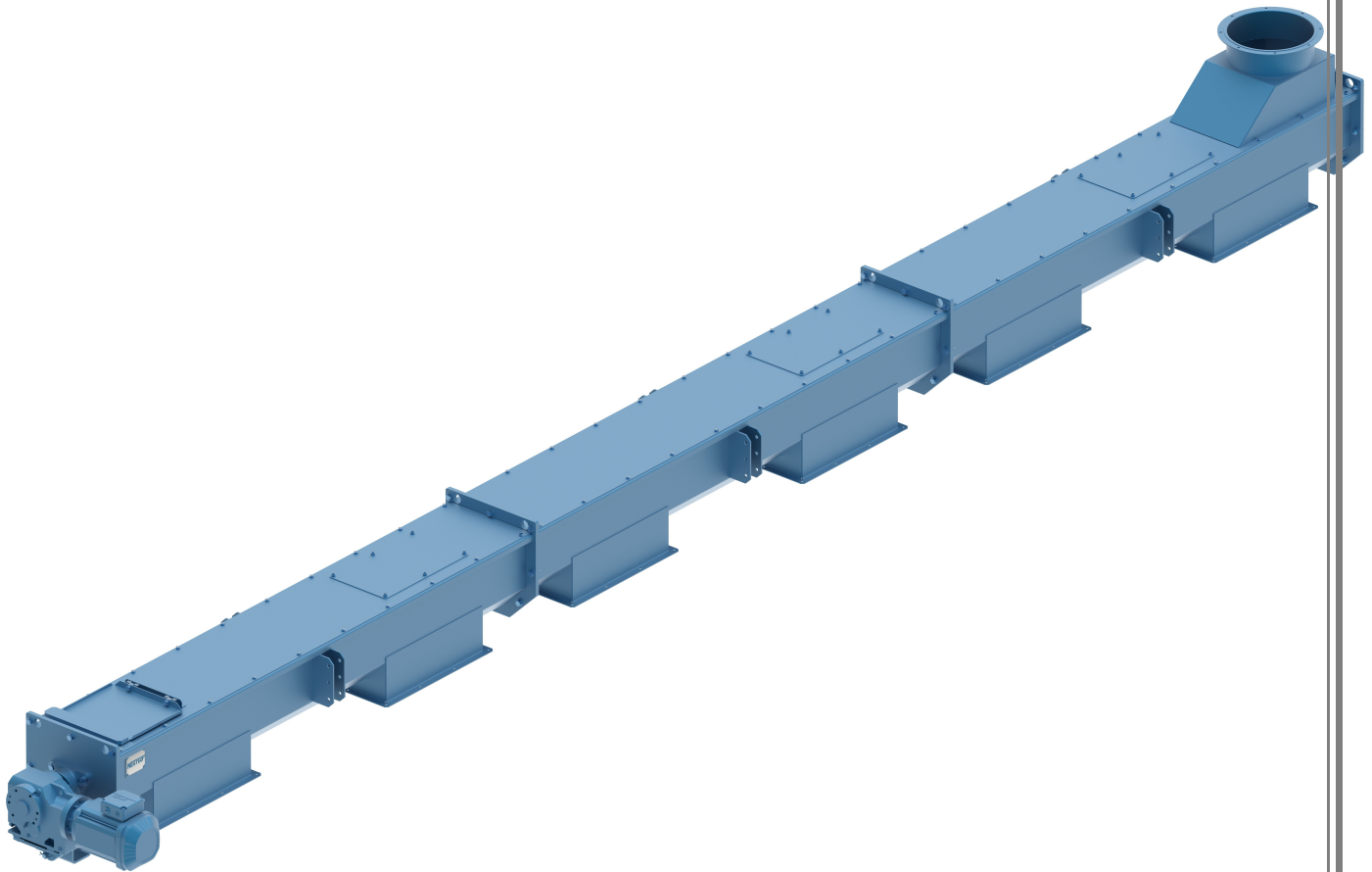
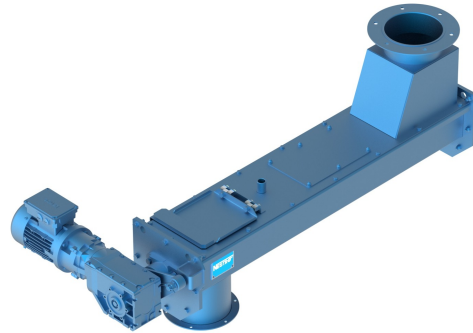
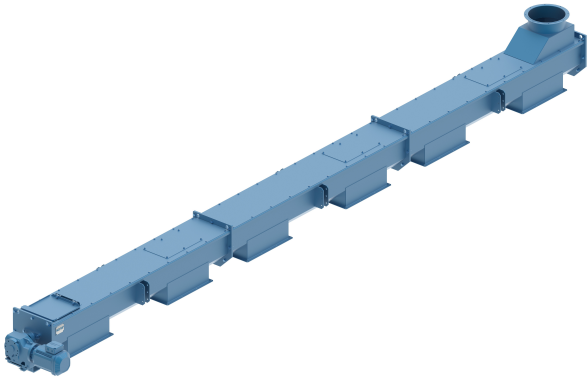
Address:

E-mail:

NIP (tax identification number):

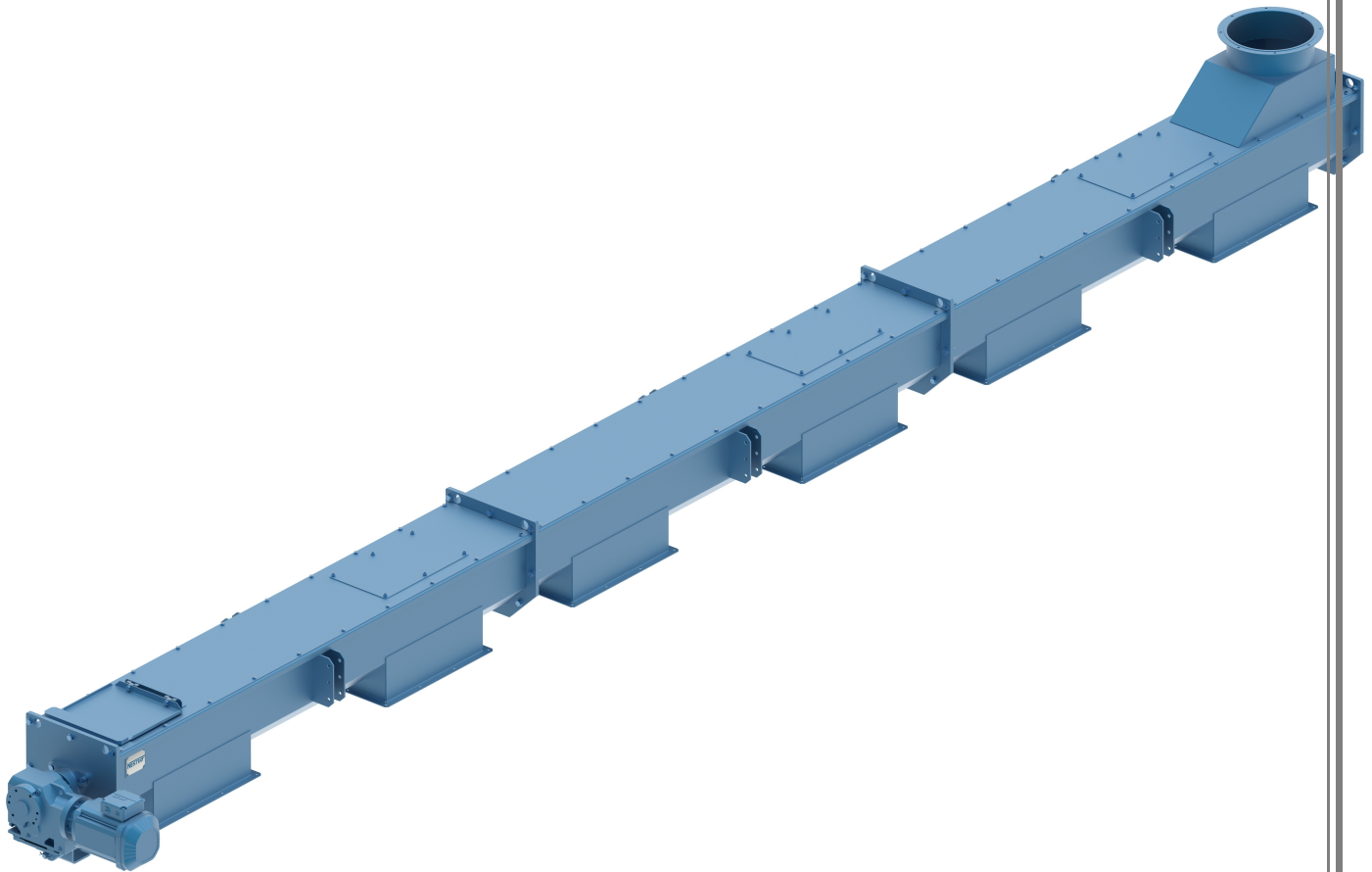
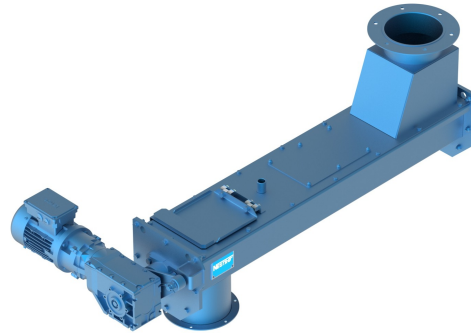
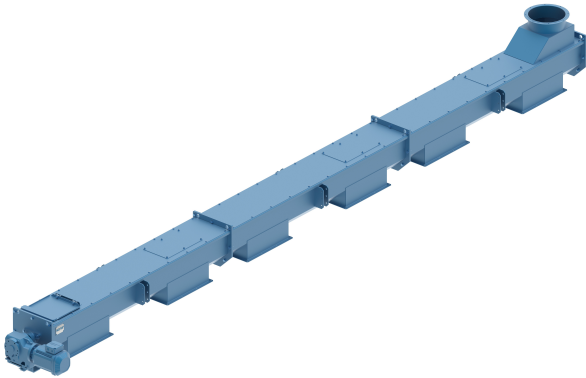
Name	Data	Comments
------	------	----------

Conveyor quotation form



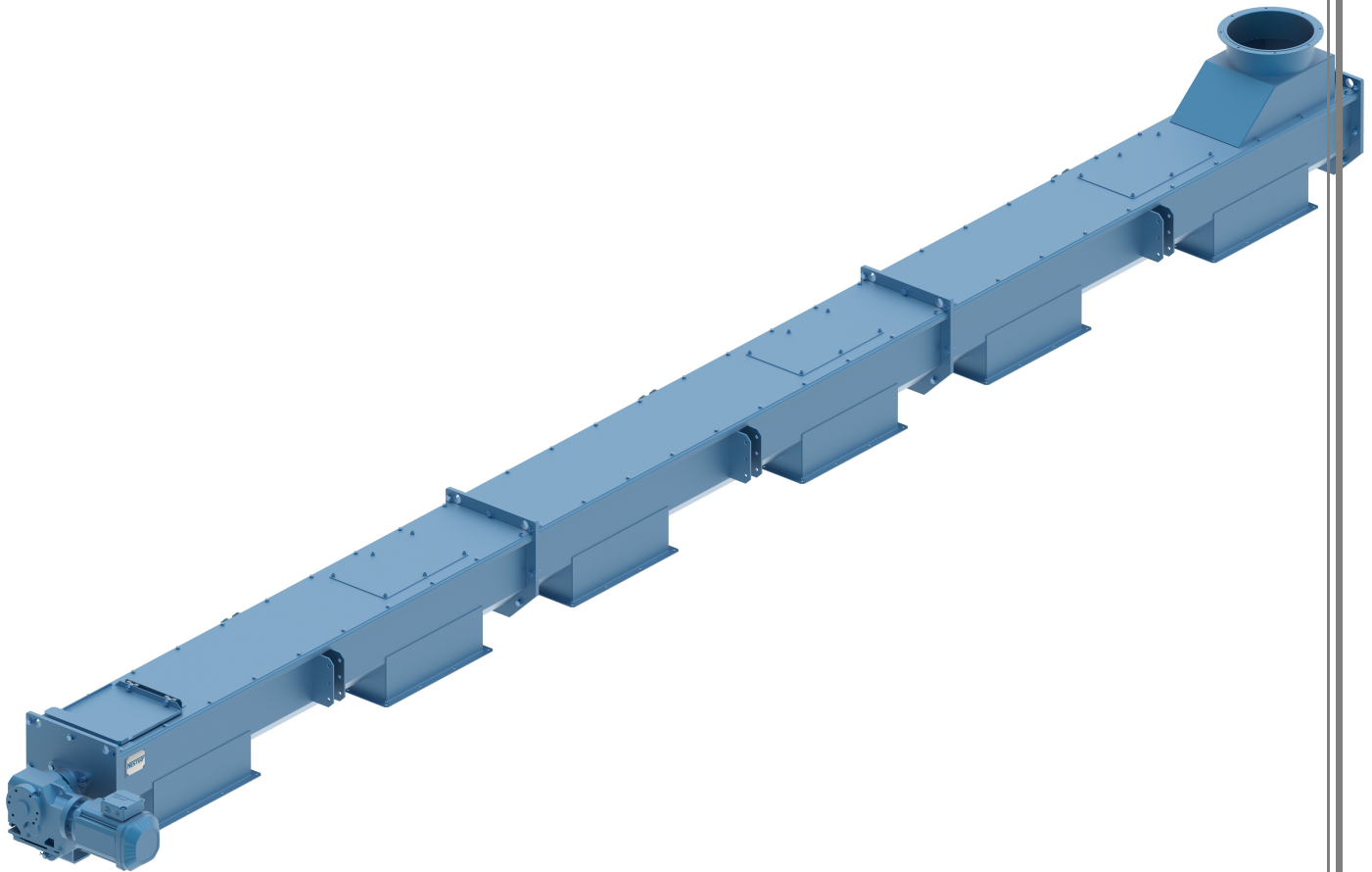
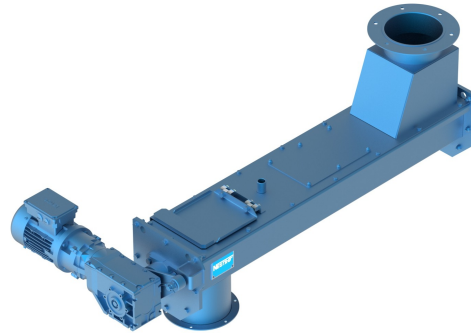
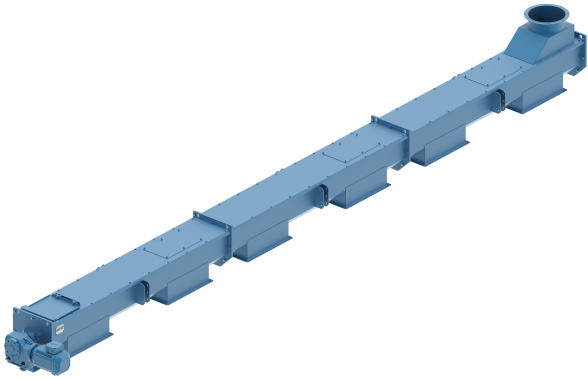
Conveyor capacity [m ³ /h]		
Conveyor length [mm]		
Angle of inclination of the conveyor [°]		
Type of transported material		

Conveyor quotation form



Weight of the transported material [kg/m ³]			
Number of inspection openings			
Emergency (filling) stop	YES	NO	
Conveyor speed control	YES	NO	

Conveyor quotation form



Dimensions of the inlet stub pipe [mm]		
Dimensions of the outlet stub pipe [mm]		
Additional information		